



TLI-HB10UFO-100/150/200W

UFO LED HIGH BAY
WATTAGE ADJUSTABLE WITH 1.2M CORDS WITH SAA PLUG

TECHNICAL

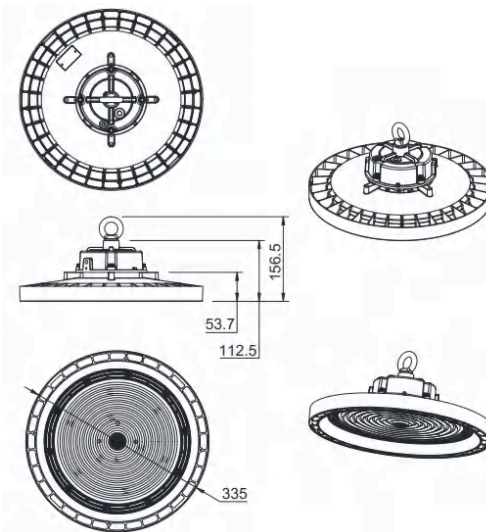
Materials of Housing	Aluminium
Color Temperature	5000K
Luminous Efficiency@4000K	150-190Lm/W
CRI	>85
Beam Angle(°)	120°
Lifetime(hr)	50,000h
Product Finishing	Black

- UFO perfect design, beautiful shape, meet aesthetic requirements.
- Die-casted with ADC-12 aluminum, which is more conducive to heat conduction and divergence.
- A smooth body will greatly reduce dust accumulation and minimize the environmental impact on the performance and life of the luminaire.
- The lens adopts optical grade PC anti-UV material to achieve high transmittance and reach IK10 and IP66 protection.
- Three optical angles (60D/90D/120D), can be used for all warehouses, factories, airports, gas stations, indoor court and other high altitude lighting
- the surge protection can reach 6KV(10KV/20KV optional).
- 100,000 times switching cycle

FEATURES & BENEFITS

LED Driver	100/150/200W Built-in
Dimming Option	DALI/ 0-10V
Ingress Protection (IP Rating)	IP 66
Power Factor (PF)	≥0.9
Certification	SAA/RoHS/CE/CB

INSTALLATION & ACCESSORIES



DATA SHEET

CODE	WATT	INPUT VOLTAGE	DIMENSION(mm)	LUMEN(±5%)
TLI-HB10UFO-100/150/200W	100/150/200W	AC200-240V	Ø335x156.5	16000/24000/32000lm